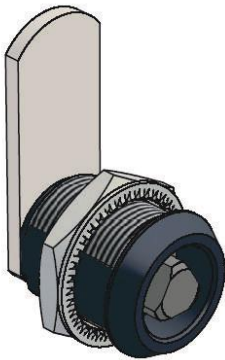
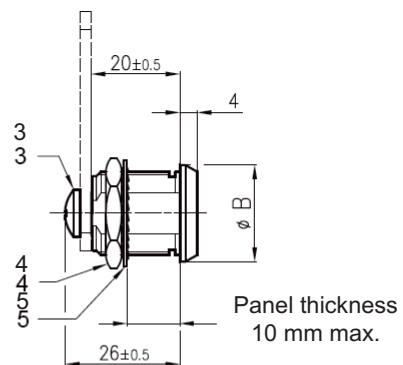
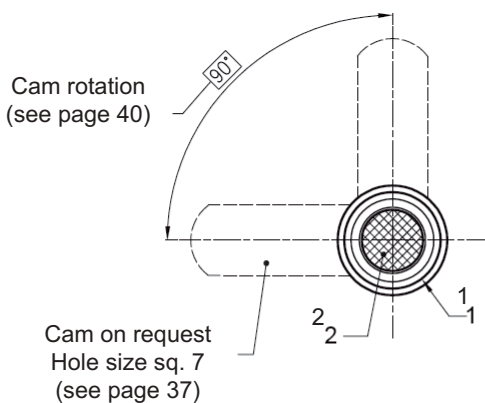
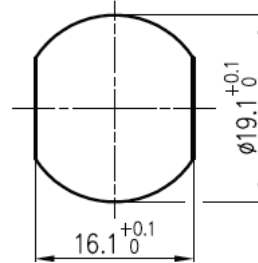




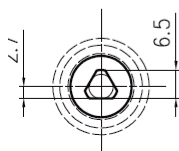
1*520 / 1*920 - Drehriegel, Kunststoff



Fixing hole size

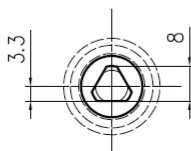


Triangle 6,5 mm



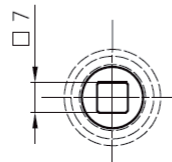
Code: A

Triangle 8 mm



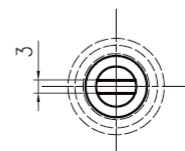
Code: B

Square 7 mm



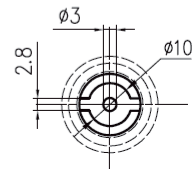
Code: C

Slotted recess



Code: D

P3 pin



Code: P

Insert * head style "code" into lock part number.

Lock Part Number (cam excluded)	Housing (Plastic) Dia. - Color	Cylinder (Plastic) Color
1*520PRTSA5TW	ø 22 - Black	Red
1*520PNTSA5TW	ø 22 - Black	Black
1*920PRTSA5TW	ø 28 - Black	Red
1*920PNTSA5TW	ø 28 - Black	Black

Ref	Part description	Material - Finishing
1	Housing	PA6.6 + 30% GF - see table
2	Cylinder	PA6.6 + 30% GF - see table
3	Self-tapping screw	Steel - White zinc Cr6 free
4	Nut BSW 3/4" - 24G	Steel - White zinc Cr6 free
5	Washer	Steel - White zinc Cr6 free