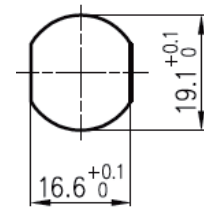
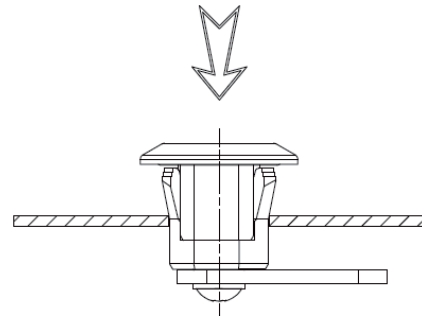


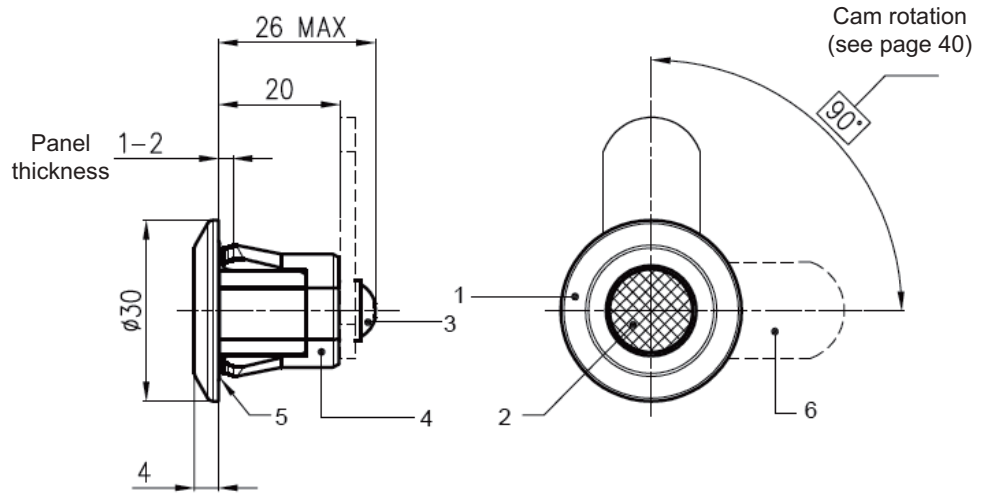
9*920 - Drehriegel, Kunststoff, einklippsbar



Patent pending!



Fixing hole size



Triangle 6,5 mm

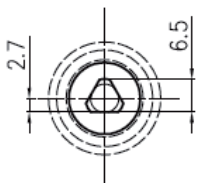
Triangle 8 mm

Square 7 mm

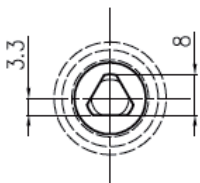
Slotted recess

Triangle 8 mm
ORZ SUR ζ OH

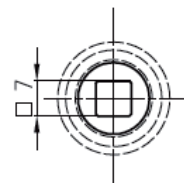
P3 pin



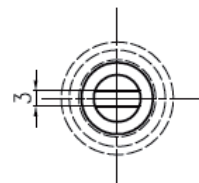
Code: A



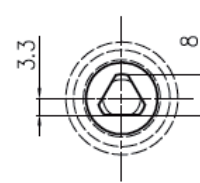
Code: B



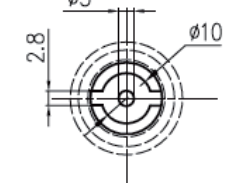
Code: C



Code: D



Code: J



Code: P

Insert * head style "code" and $\phi\phi$ material "code" into lock part number

| |
|----------------------|
| Lock Part Number |
| 9*920 $\phi\phi$ NBW |

| Ref | Part description | PLASTIC/ZINC ALLOY (NB) Material - Finishing | PLASTIC (PN) Material - Finishing |
|-----|------------------|---|--------------------------------------|
| 1 | Housing | PA6.6 + 30%GF Black | PA6.6 + 30%GF Black |
| 2 | Cylinder | Zinc alloy - Bright chrome | PA6.6 + 30%GF Black |
| 3 | Screw M5X10 | Steel - White zinc Cr6 free | Steel - White zinc Cr6 free |
| 4 | Clip | PA6.6 + 30%GF Black | PA6.6 + 30%GF Black |
| 5 | Gasket | NBR | NBR |
| 6 | Cam | Steel - White zinc Cr6 free | Steel - White zinc Cr6 free |