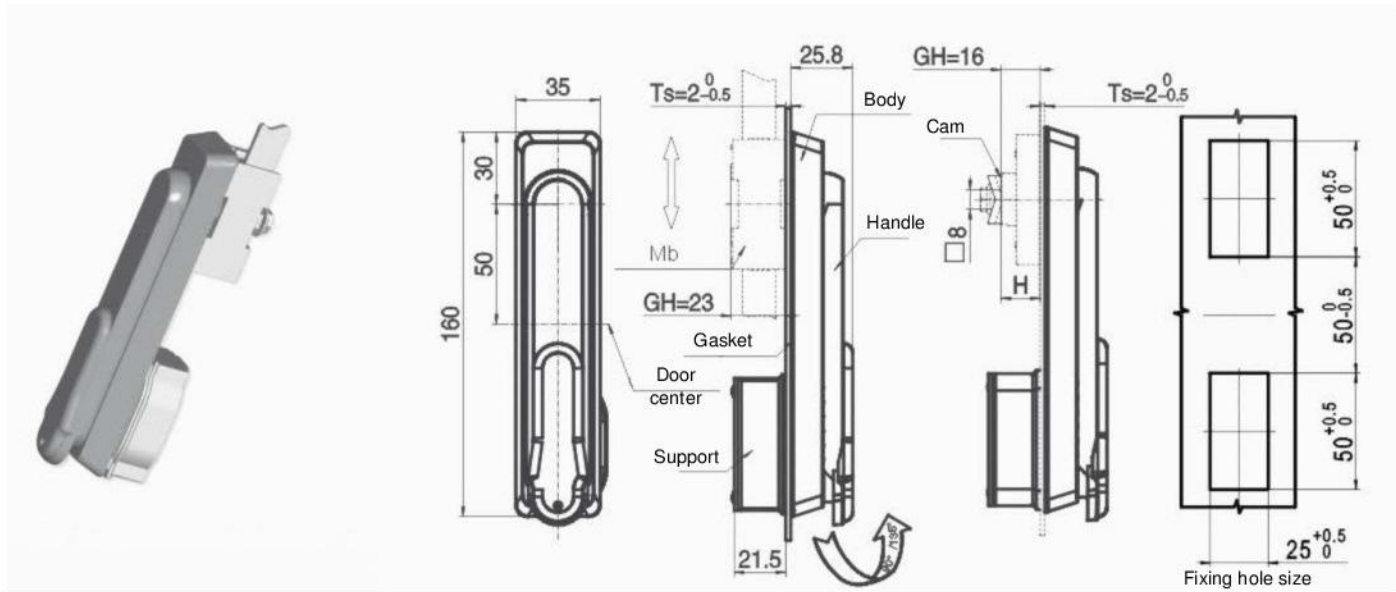




FH840.*A - Schwenkgriff - Stangenschloss



FH840.1A

FH840.2A

Options: Cam operated Mb9; see page 14

Drive bars operated Mb4; see page 20

Handle part number	Description	Ref	Part description	Material - Finishing
FH840.1A	Drive bars	1	Body and Handle	Black plastic
FH840.2A	Cam	2	Drive bars/Cam	Steel - White zinc Cr6 free
		3	Cylinder	Zinc alloy - Bright chrome