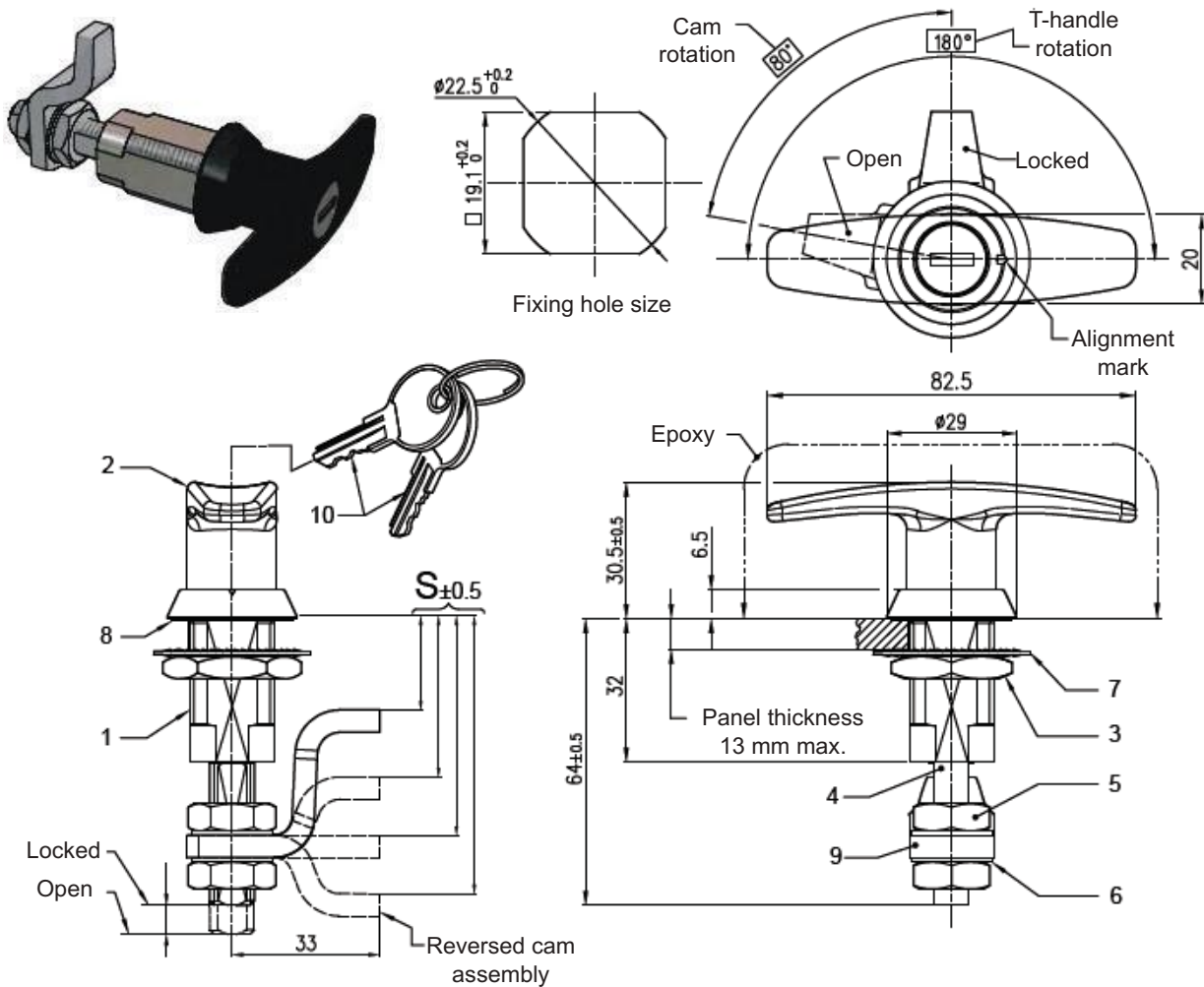


FL91BR.85.T* - Kompressionsverschluss mit T-Griff



Lock Part Number	S $\pm 0,5$	S $\pm 0,5$ Reversed cam	Lock version
FL91BR.85.TM0BK	26,5 \div 36	52,5 \div 62	C31 MERIT CH14607 Key excluded
FL91BR.85.TM1BK	11,5 \div 21	67,5 \div 77	
FL91BR.85.TM2BK	39,5 \div 49	-	
FL91BR.85.TS0BK	26,5 \div 36	52,5 \div 62	C31 STD CH751 Key excluded
FL91BR.85.TS1BK	11,5 \div 21	67,5 \div 77	
FL91BR.85.TS2BK	39,5 \div 49	-	
FL91BR.85.TC0BK	26,5 \div 36	52,5 \div 62	C31 STD CH751 2 keys included
FL91BR.85.TC1BK	11,5 \div 21	67,5 \div 77	
FL91BR.85.TC2BK	39,5 \div 49	-	

Ref	Part description	ZINC ALLOY EPOXY Material - Finishing
1	Housing	Zinc alloy - Epoxy black
2	T-handle	Zinc alloy - Epoxy black
3	Nut M22X1,5 Ch. 27	Steel - White zinc Cr6 free
4	Rotation stud	9SMnPb36 - White zinc Cr6 free
5	Nut M10 (2)	Steel - White zinc Cr6 free
6	Washer (2)	Steel - White zinc Cr6 free
7	Washer	Steel - White zinc Cr6 free
8	Gasket	NBR
9	Cam	Steel - White zinc Cr6 free
10	Key, keyed CH751 alike (2)	Nickel