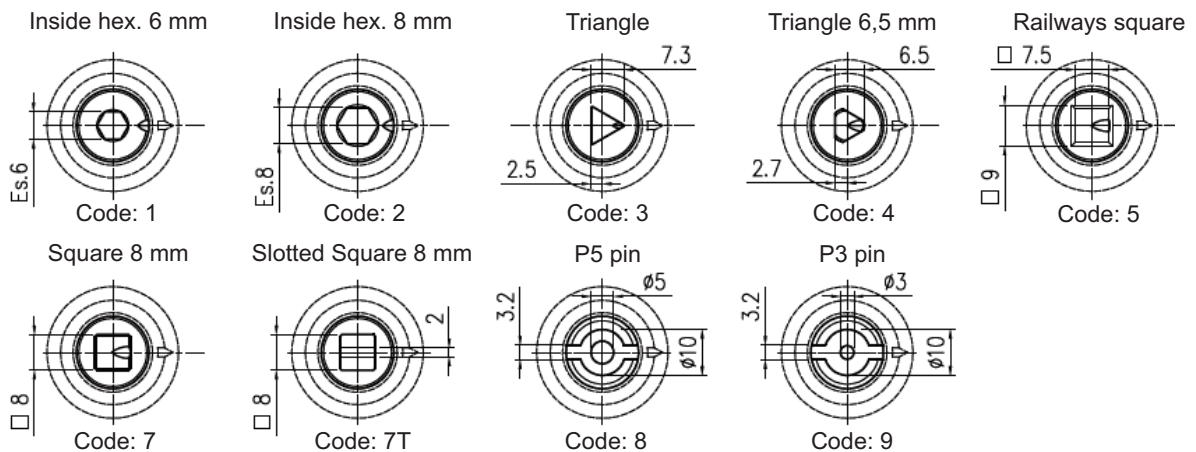
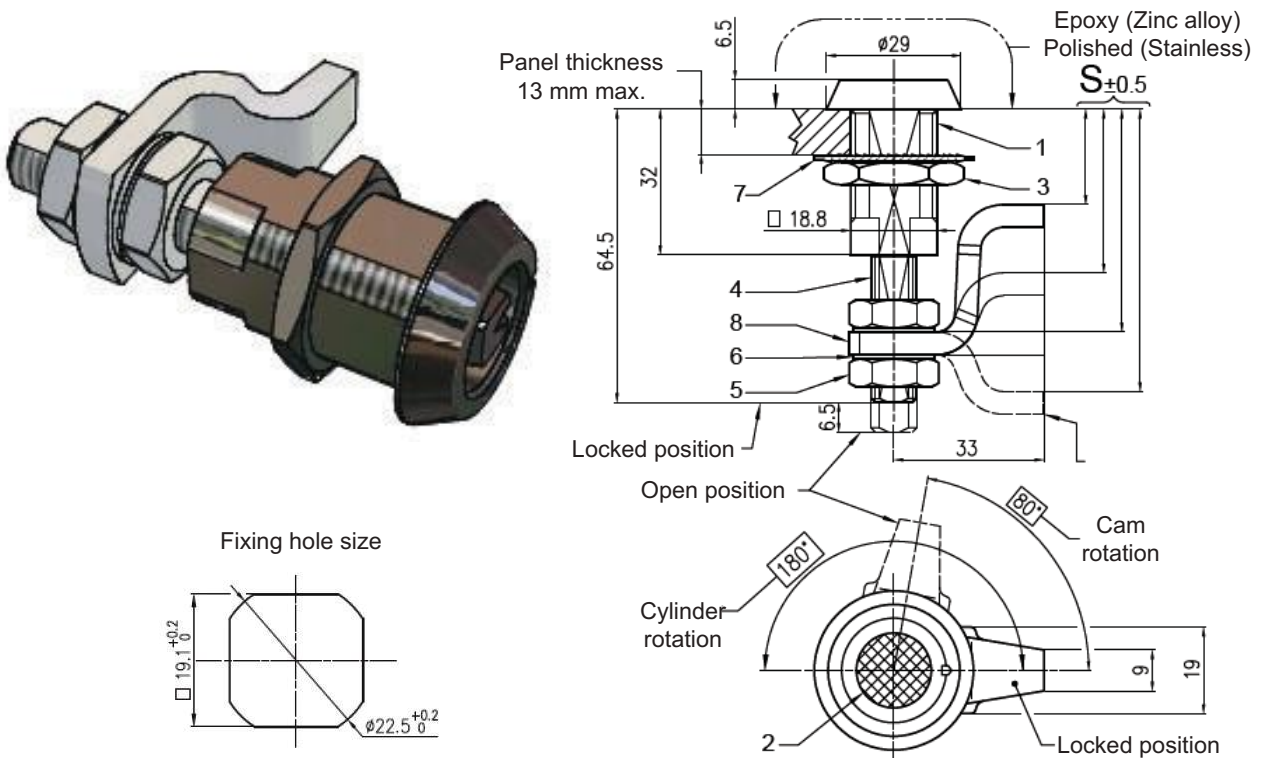


# FL91BR.85.\* - Kompressionsverschluss - Rechts



Insert \* head style "code" and  $\phi\phi$  material "code" into lock part number.  
Locking thickness different from the following ones available on request; minimum quantity order will be applied.

Lock Part Number	S $\pm 0,5$	S $\pm 0,5$ Reversed cam
FL91BR.85.*1 $\phi\phi$	11,5 $\div$ 21	67,5 $\div$ 77
FL91BR.85.* $\phi\phi$	26,5 $\div$ 36	52,5 $\div$ 62
FL91BR.85.* 2 $\phi\phi$	39,5 $\div$ 49	-

Ref	Part description	ZINC ALLOY CHROME (BC) Material - Finishing	STAINLESS STEEL (BP) Material - Finishing	ZINC ALLOY EPOXY (BK) Material - Finishing
1	Housing	Zinc alloy - Bright chrome	AISI304 - polished	Zinc alloy - Epoxy black
2	Cylinder	9SMnPb36 - Bright chrome	AISI303 - polished	9SMnPb36 - Epoxy black
3	Nut M22X1,5 Ch. 27	Steel - White zinc Cr6 free	AISI303	Steel - White zinc Cr6 free
4	Rotation stud	9SMnPb36 - White zinc	AISI303	9SMnPb36 - White zinc
5	Nut M10 (2)	Steel - White zinc Cr6 free	AISI303	Steel - White zinc Cr6 free
6	Washer (2)	Steel - White zinc Cr6 free	A2	Steel - White zinc Cr6 free
7	Washer	Steel - White zinc Cr6 free	A2	Steel - White zinc Cr6 free
8	Cam	Steel - White zinc Cr6 free	AISI304 - polished	Steel - White zinc Cr6 free