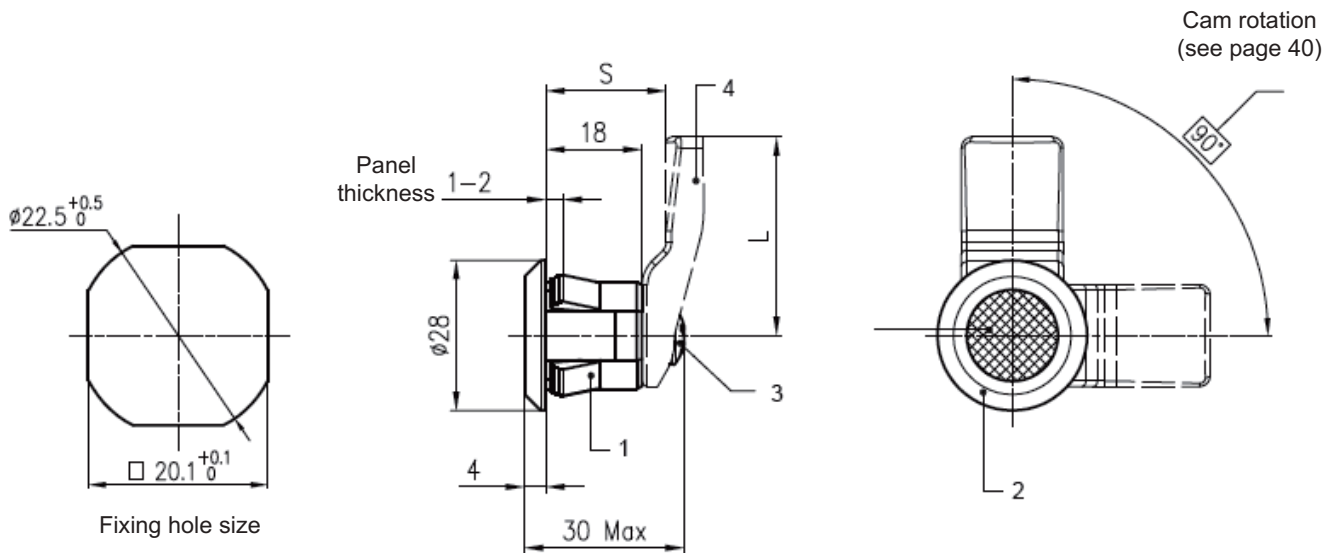
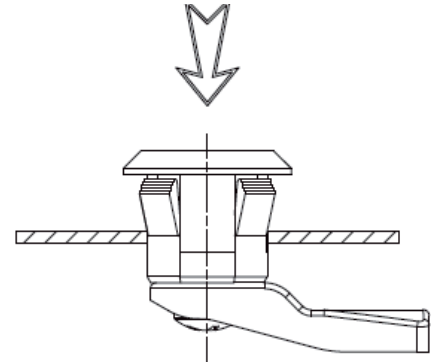




# 8\*918 - Drehriegel, Kunststoff, einklippsbar



Triangle 6,5 mm

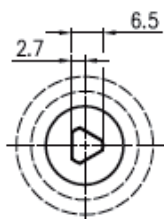
Triangle 8 mm

Slotted recess

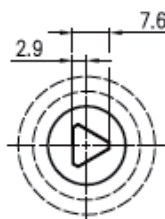
Inside hex. 6 mm

Railways square

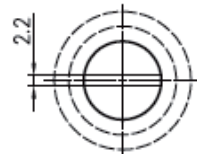
P3 pin



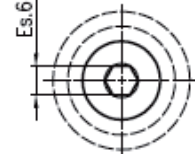
Code: A



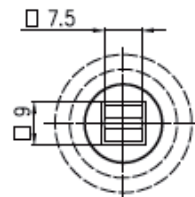
Code: B



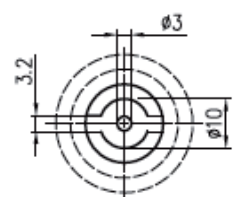
Code: D



Code: G



Code: M



Code: P

Insert \* head style "code" into lock part number

Lock Part Number
8*918PNNBW

Ref	Part description	PLASTIC Material - Finishing
1	Housing	PA6.6 + 30%GF Black
2	Cylinder	PA6.6 + 30%GF Black
3	Screw M6X10	Steel - White zinc Cr6 free
4	Cam	PA6.6 + 30%GF Black